



# DIRECTIVE SYSTEMS

177 DIXON RD.  
 LEBANON, ME. 04027  
 TEL: 207-658-7758 FAX: 207-658-4337  
 www.directive-systems.com

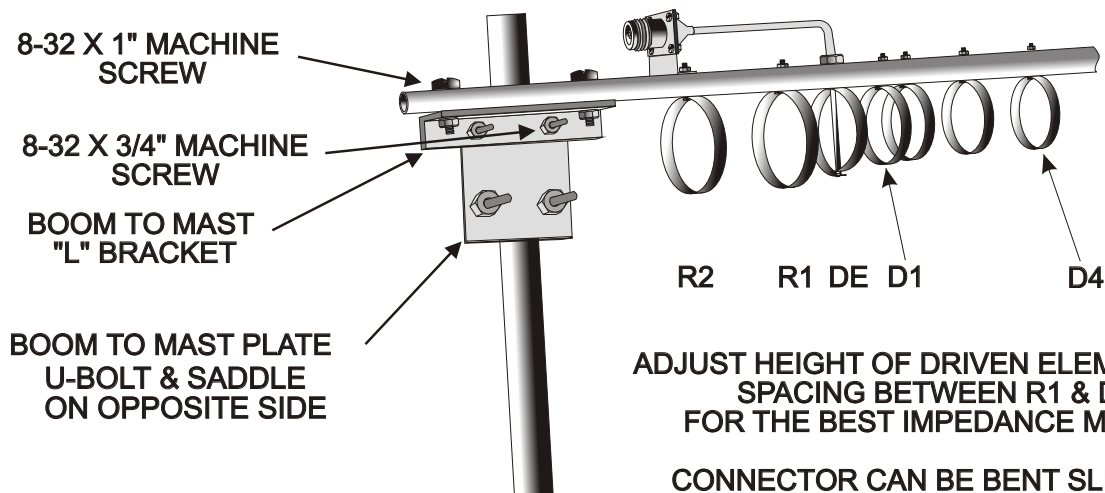
## 945LY 3456 MHZ LOOP YAGI (REAR MOUNT) SPECIFICATIONS

Frequency range:	3.40 to 3.48 GHz	Gain:	20 dBi
Number of elements:	45	3 dB Beamwidth (E plane):	16°
Boom length:	60 inches	F/B ratio:	≥ 20 dB
Boom diameter:	0.5 inches	Maximum Power:	100 W average
Mast diameter:	1 1/2 in. max	Stacking distance:	9 inches vertical 9.8 inches horizontal
Weight: (assembled)	1.5 pounds		
Connector:	Type-N female		

Assemble the boom by removing the last three directors from the rear (longer) boom piece. These loops are D22,23 &24, and are of similar size.. Insert front boom piece into rear boom piece so that the orientation lines are aligned. . Now insert D22 thru 24 into their respective mounting holes and tighten. Observe the drawing below to assemble the antenna to your mast. Install coax and weatherproof your connection with RTV or equivalent. Tape coax to mast

### 945LY BOOM TO MAST MOUNT AND CONNECTOR DETAIL

FOR BEST RESULTS, ORIENT ANTENNA AS SHOWN  
 WITH ELEMENTS LOCATED BELOW THE BOOM TO  
 PREVENT DAMAGE FROM OVERWEIGHT BIRDS!



ADJUST HEIGHT OF DRIVEN ELEMENT AND  
 SPACING BETWEEN R1 & DE  
 FOR THE BEST IMPEDANCE MATCH.

CONNECTOR CAN BE BENT SLIGHTLY  
 TO SIDE SO THAT COAX CAN CLEAR REAR MAST.