

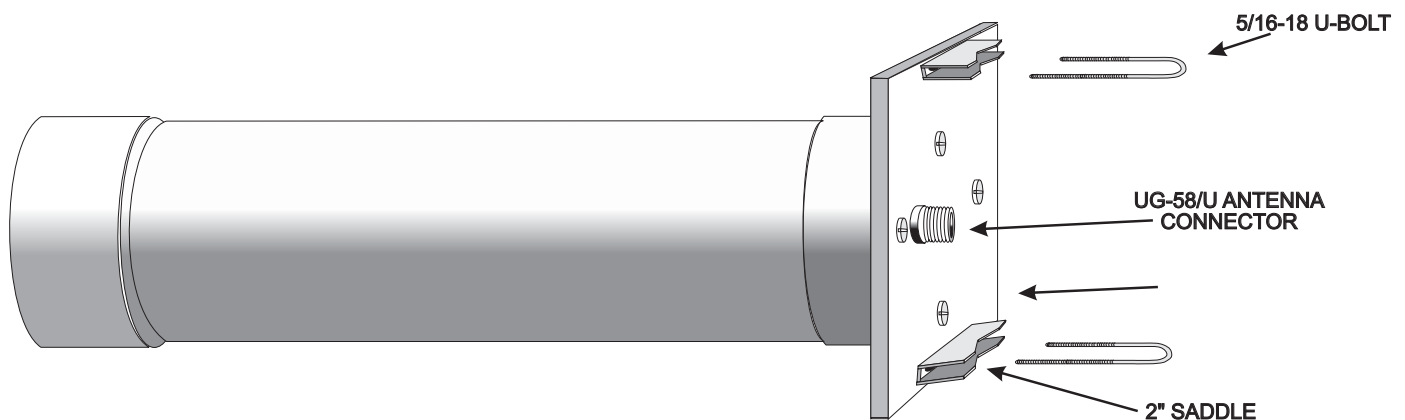


DIRECTIVE SYSTEMS

177 DIXON RD.
LEBANON, ME. 04027
TEL: 207-658-7758 FAX: 207-658-4337
www.directivesystems.com

2300-2500 MHz CIRCULAR POLARIZED ANTENNA, Model DSH12-27

Frequency range:	2300 to 2500 MHz	Gain:	18.1 dBic
Polarization:	RHCP (Circular)	3 dB Beamwidth (Circular)	20°
Number of turns:	27	F/B ratio:	≥16 dB
Helix length:	34 inches	Maximum Power:	100 W average
Mast diameter:	2 in. max		
Weight:	5 pounds		
Connector:	Type-N female		



ASSEMBLY INSTRUCTIONS

- 1) Unpack antenna and locate the U-bolt /Hardware package.
- 2) Install the U-bolts (2) on the 8" x 8" back mounting plate using the saddles, 5/16" hex-nuts and split washers provided. (See drawing above.)
3. Attach the antenna to your support mast. The antenna is Right hand circular, and does not require any specific orientation for maximum reception other than to point it in the correct direction. Tighten the u-bolts to your mast, using the 5/16" hardware supplied. Take care not to crush your support mast.
- 3) Attach the feed line, and tape it to the mast. The connector should be sealed with electronic grade RTV or equivalent.
- 5) The antenna SWR has been adjusted at the factory for less than 1.5:1. There are no adjustments to be made to the antenna. Maximum radiation is in the direction of the long axis of the antenna and away from the rear plate.